

## PARABOLIC RETROFIT KIT

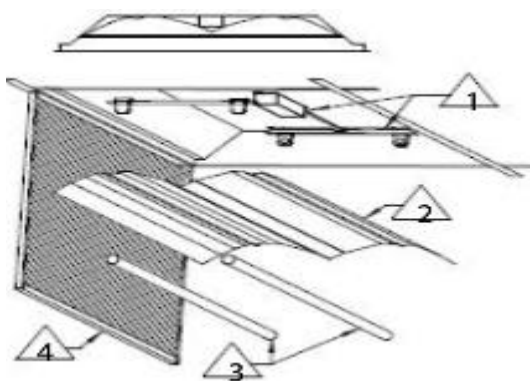
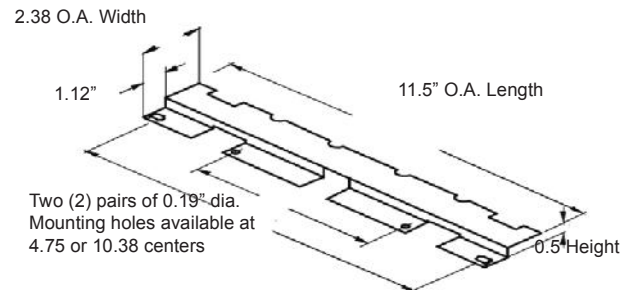
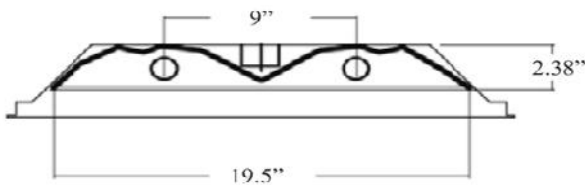
Reflector Kit - Retrofit 2 or 3 Lamp for Parabolic body

### FEATURES & SPECIFICATIONS

These kits provide everything required to enhance the performance and energy savings of your recessed fixture while minimizing labor, clean up and expense. Choice of highly polished mirrored reflector or enhanced white reflector, both designed to maximize output and efficiency.

### MATERIALS

Reflectors are a premium and standard full specular mirrored aluminum, and enhanced white. Socket Bars are white. Code gauge steel.



### Popular Kits

Item Number	Dimensions (L x W x H)	Lamping
22PM20BL10	2 X 2 Parabolic Retrofit Kit	2-F17T8
22PW10BL10	2 X 2 Parabolic Retrofit Kit	2-F17T8
24PM20BL10	2 X 4 Parabolic Retrofit Kit	2-F32T8
24PW10BL10	2 X 4 Parabolic Retrofit Kit	2-F32T8

### Ordering Information

Example: 24P3W10B10ZMV or 24P3W10B10ZS(76318)MV

Series	Number of Lamps	Reflector	Socket Bar - Socket Type	Ballast Manufacturer	Ballast Factor	Voltage	Configuration
<b>14P</b> 1X4 <b>22P</b> 2X2 <b>24P</b> 2X4	<b>1</b> 1 Lamp <b>2</b> 2 Lamps <b>3</b> 3 Lamps <b>4</b> 4 Lamps	<b>M20</b> Mirrored Reflector <b>W10</b> Enhanced White Reflector	<b>B10</b> Socket Bar & Instant Start (Standard for T8) <b>B11</b> Socket Bar & Program Start (Standard for T5)	<b>Blank</b> No Preference <b>F</b> Universal <b>V</b> Advance <b>Y</b> Sylvania <b>Z</b> Sylvania	<b>Blank</b> Normal .88 <b>H</b> High 1.18 <b>L</b> Low .77 <b>S</b> Special	<b>Blank</b> Less Ballast <b>MV</b> 120v -277v <b>E480</b> 480v	<b>Blank</b> Components Bulk Packed & Unassembled <b>WR</b> Wire Ballast & Sockets Together