

HSL DCC150SR Series

Applications

- Security, pathway and perimeter lighting
- Building entryways and walkways

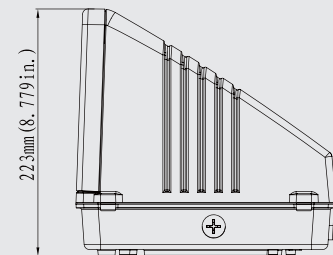
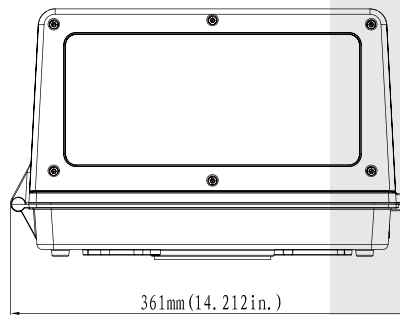
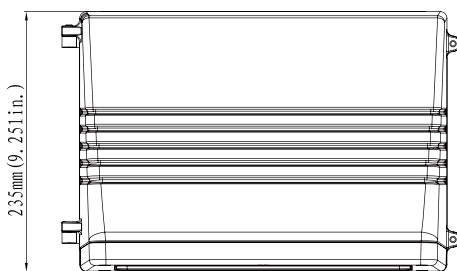
Features

- Suitable for WET location/Outdoor
- Lumen output from 4900lm, to replace 100W MH
- Full Cutoff and compliance to Dark Sky requirement
- Type III polycarbonate optical lens with UV stabilizers
- Built-in UL class 2 driver, optional for photocell
- Available in durable polyester dark bronze powder coat
- UL/cUL
- 82 CRI
- 109 lm/w, 5000K (check for 4000K availability)

Dimensions

DIMENSIONS

All dimensions are inches. Specifications subject to change without notice



LED Full Cut-Off Wall Pack

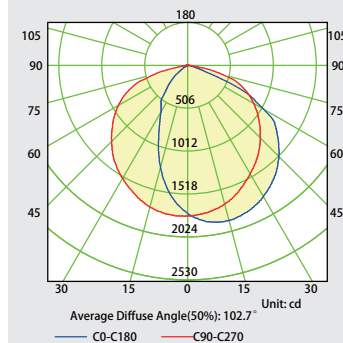


Photometrics

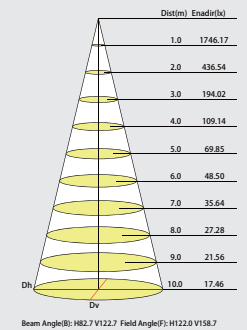


HSLDCC150SR45W4900LMV50K

Luminous Intensity Distribution Curve



Illuminance at a Distance



ORDERING INFORMATION

HSLDCC150SR	45W4900L	MV	50K
Series	Wattage and Lumen	Driver	Kelvin Temperature
HSLDCC150SR	27W3750L 27 System Watts, 3750 Delivered Lumens 45W4900L 45 System Watts, 4900 Delivered Lumens	MV Multi - Volt 120V-277V	50K 5000K