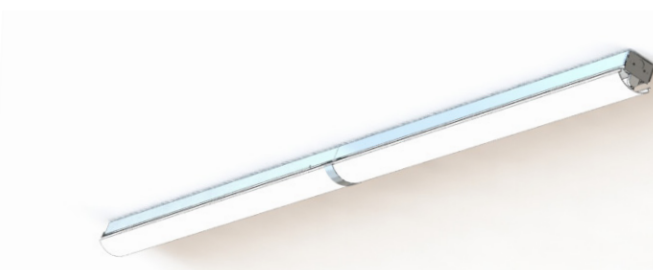


HSL - FSS Series

Flexible and Sleek 3”
Contemporary Strip



This contemporary designed sleek 3” linear fixture allows for flexible mounting options. From One individual section to a continuous run of up to Four Fixtures using just one ballast. This fixture is available in 4 ft and 8 ft lengths, and comes pre-wired per your ordering specification. We can build in: 4’, 8’, 12’ or 16’ lengths. This fixture was designed around a T8 lamp solution or TLED, but can easily be converted for LED boards and drivers. The Lens and lens mounting design allows for a small amount of uplight. This lens is a high transmission lens designed specifically for superior LED performance/operation. The FSS Fixture along with hardware, has numerous mounting options.

Ordering Information

Example: HSL- FSS FR 132 ZHMV 1LC

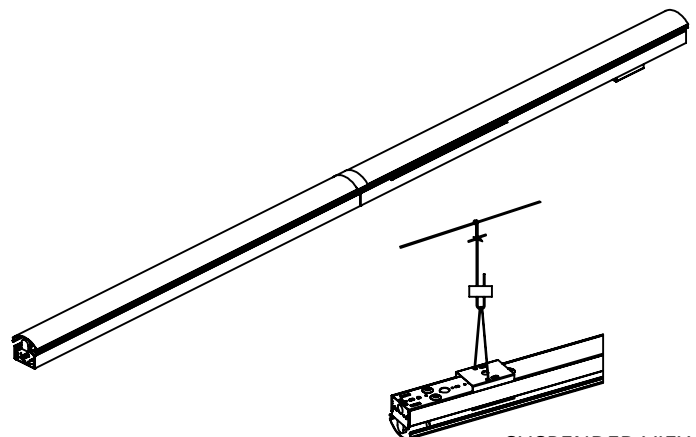
Series	Lens Material	Lamp Count	Lamp Type	Length	Ballast	Lens Coupler	Options
HSL FSS Flexible & Sleek 3” Contemporary Strip	FR Frosted Lens	1	32	4 4ft. 8 8ft. 12MS 12ft. 16MS 16ft. (MS - Master Slave)	MV Electronic, Multivolt (120-277) HMV Electronic MV, Hi-Lume (2) LMV Electronic MV, Lo-Lume (2) ADD Z before Ballast Code for GE ADD V before ballast Code for Philips Example: ZHMV	1LC 1 Lens Coupler 1LC 1 Lens Coupler 3LC 3 Lens Coupler 4LC 4 Lens Coupler	SB Slide Bracket CC Chanel Connector GT310A Gripple Cable Hanger

MOUNTING

- Surface mount or Pendant Mount

TYPICAL OPTIONS & ACESSESORIES

- Whips, wire harnesses, and cord sets.



SUSPENDED VIEW

HSL - FSS Series

Flexible and Sleek 3"
Contemporary Strip

