

HSL HIL LED Series

Full Body High Bay

FEATURES & SPECIFICATIONS

INTENDED USE

High efficiency LED engineered for premium performance in medium and high ceiling applications ideally suited for warehouses, manufacturing plants, sports facilities and retail spaces. A precision-formed reflector system available in highly reflective enhanced white reflector achieves maximum light output for ceilings from 15 feet to 40 feet. The unique arrangement is ideal for wide area lighting to put the light exactly where you need it with less fixtures. Based on ceiling height, these fixtures can replace an HID high bay using half of the wattage. Surface, pendant, chain or stem mounting. Highest quality materials and workmanship. Many options to choose from including: Reflectors, Lenses and Lens with Wire Guards.

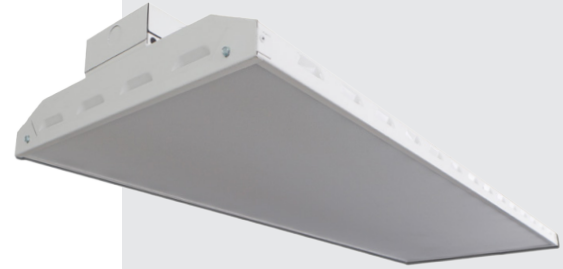
CONSTRUCTION

Housing is 22 gauge prepainted steel. Air vents surround the drivers the back of the fixture to maximize LED and driver performance, reliability and life. High reflective enhanced white reflectors are computer designed to maximize photometric performance and put the light where you need it. Access plate in the back makes wiring fast and hassle-free.

MOUNTING

Designed for surface, pendant, stem or chain hanging. Mounting holes are provided for simple, fast installation. This fixture comes with holes for: Tong Hanger, Cable Kit and surface mount. See Buyers Guide for list of all mounting options available and sold separately.

LED Premium High Bay



TYPICAL OPTIONS AND ACCESSORIES

Emergency battery backup, Cord sets, whips, occupancy sensors, Hanging kits, Wire guards. Contact factory for additional options.

SIZE W x L x H in inches (mm)

48L: 15.575"W x 45.160"L x 4.296"H

EXAMPLE: HSL HIL48LA215W30000LDMV50K

ORDERING INFORMATION

HSL HIL		48L	A215W30000L	
Series	Lens	Sizes	Wattage and Lumens	
HSL HIL LED Premium High Bay Full Body	Blank	24L 24"	T80W10000L	80 Watts 10000 Lumens
	FR		Y122W15000L	122 Watts 15000 Lumens
HSL HIL LED Premium High Bay Full Body	Acrylic	48L 48"	T80W10000L	80 Watts 10000 Lumens
			Y122W15000L	122 Watts 15000 Lumens
	CL	Clear Lens	A149W20000L	149 Watts 20000 Lumens
			* A175W25000L	175 Watts 25000 Lumens
			* A215W30000L	215 Watts 30000 Lumens
			* A220W32500L	220 Watts 32500 Lumens
			A224W30000L	224 Watts 30000 Lumens
			* A260W35000L	260 Watts 35000 Lumens
			A273W35000L	273 Watts 35000 Lumens
			* A280W40000L	280 Watts 40000 Lumens
* A315W45000L	315 Watts 45000 Lumens			
* A355W50000L	355 Watts 50000 Lumens			

DMV	50K
Driver	Color Temp
DMV 0-10V Dimming	30K 3000K
	35K 3500K
	40K 4000K
	50K 5000K

Options

MDT4	Occupancy Sensor Wide angle
MDF4	Occupancy Sensor and Daylight
CS	5-15P 120V 8ft Cord & Plug
CS12	L7-15P 277V 8ft Cord & Plug
CS08	8ft Cord No Plug
WP	6ft 3 Wire, Whip
WP10	6ft 4 Wire, Whip
EM	10W, 90mins, 120-277VAC
WG	Wire Guard
LSXR610(xx)	Occupancy Sensor (Full On and Steps to xx% Level)



Catalog Number:
Notes:

HSL HIL Series 24L

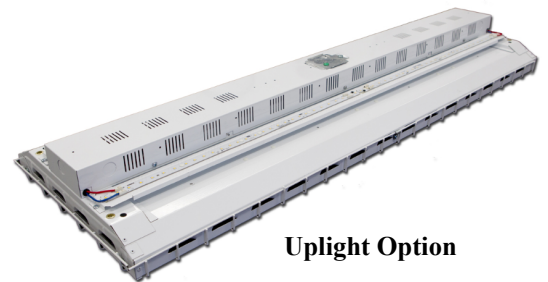
LED High Bay Full Body

DIMENSIONS

All dimensions are inches. Specifications subject to change without notice.

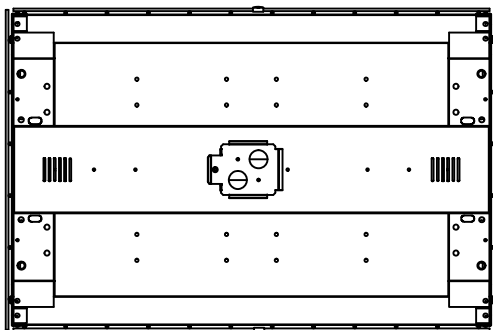
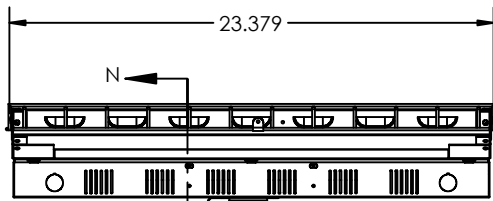
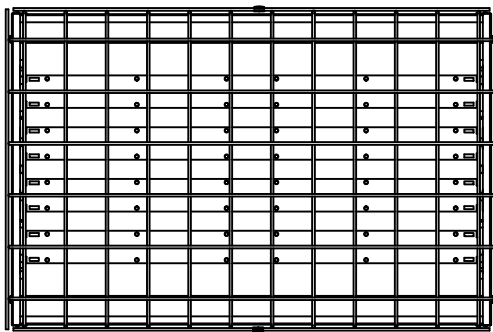
SIZE W x L x H in inches

24L: 15.575"W x 23.379"L x 4.296"H

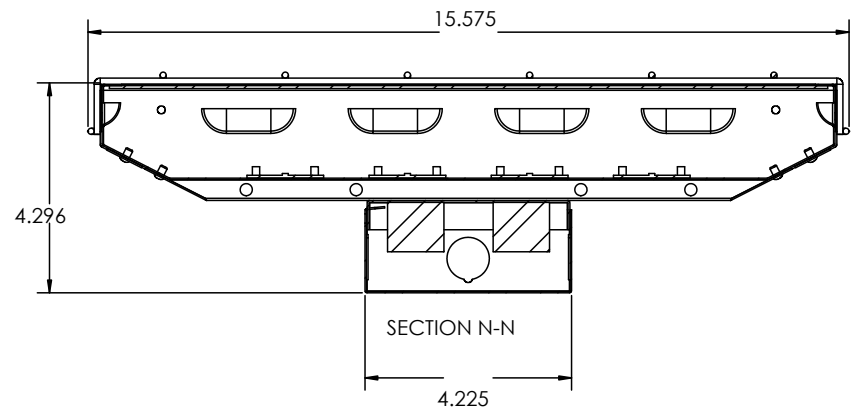


Uplight Option

TOP VIEW WITHOUT LENS



BOTTOM VIEW

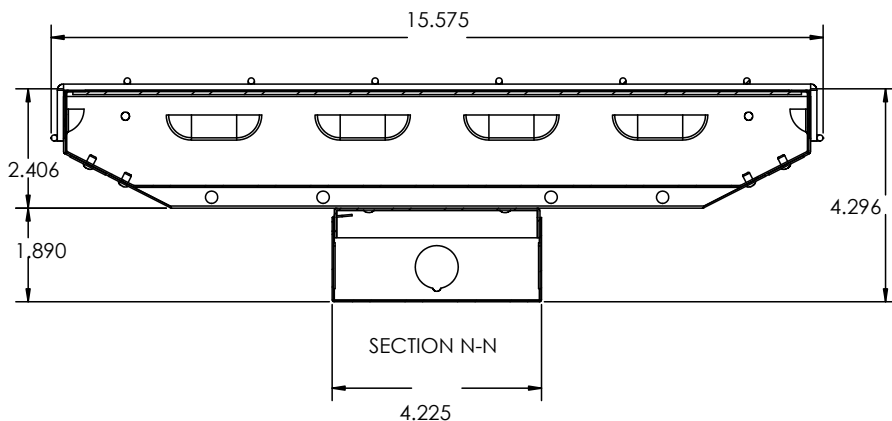


HSL HIL LED Series

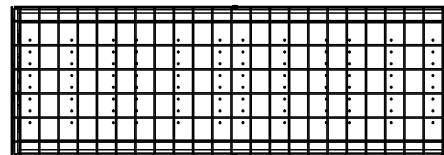
LED High Bay Full Body

DIMENSIONS

All dimensions are inches. Specifications subject to change without notice.



TOP VIEW WITHOUT LENS



BOTTOM VIEW

