

CATALOG#:

PROJECT:

TYPE:

Series HSL L34

LED Surface or Pendant Mount Linear Fixture

Full body micro silhouette makes a bold statement with a minimal design in post-painted powder coated flat white polyester finish (consult factory for other finishes). Scaled to the LED module the matte white diffuser surrounds the LEDs for soft lighting. Fixture can be surface mounted on wall or ceiling or pendant mounted with specially engineered cable mounting kit.

CONSTRUCTION

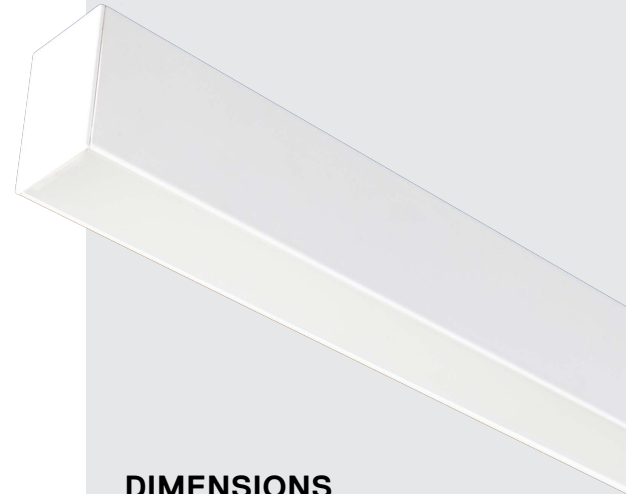
Die-formed and welded 22-gauge cold rolled steel. Easy to install. Fixtures are designed for individual mounting or they can be joined end to end for continuous runs.

DIFFUSERS

Special LED formulated frosted lenses with snap in feature for easy access.

TYPICAL OPTIONS & ACCESSORIES

Cord sets, whips, occupancy sensors, hanging kits, etc. Contact factory for more details.



DIMENSIONS

2ft.-24"L x 2.375"W x 3.25"H

4ft.-48"L x 2.375"W x 3.25"H

8ft.-96"L x 2.375"W x 3.25"H

FEATURES & BENEFITS

- Can be surface mounted to the ceiling or pendant hung by engineered hanging kit
- Attractive source of direct lighting for any indoor applications
- Integral driver, snap-fit lens
- Easy installation
- Available in custom finish. Consult factory for details.
- 50,000 hrs of L70 LED life
- CRI >80
- 0-10 Volt dimmable 120-277V or Triac/ELV dimming at 120V
- Power factor 0.99
- Suitable for dry or damp location
- 5 year warranty

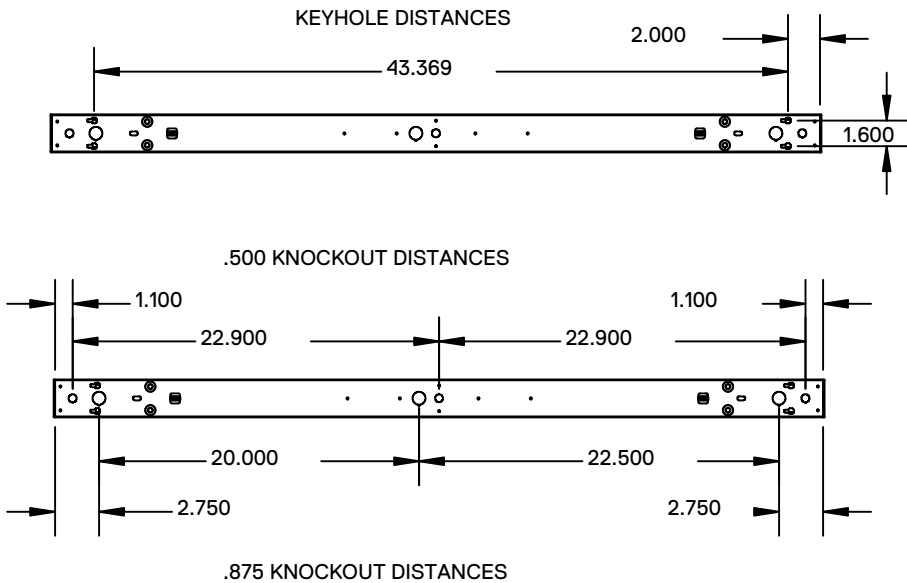
Series HSL L34

LED Surface or Pendant
Mount Linear Fixture

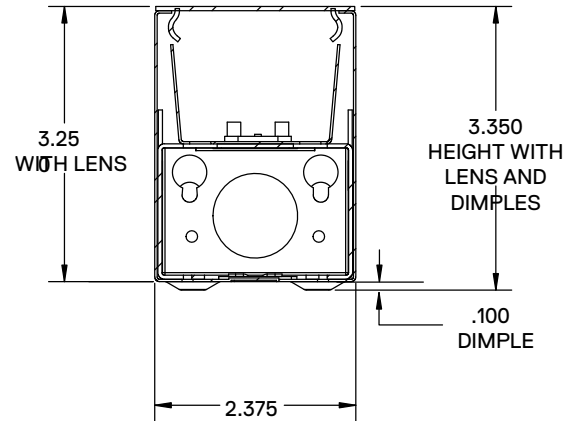
CATALOG# : _____
PROJECT : _____
TYPE : _____

DRAWINGS AND DIMENSIONS

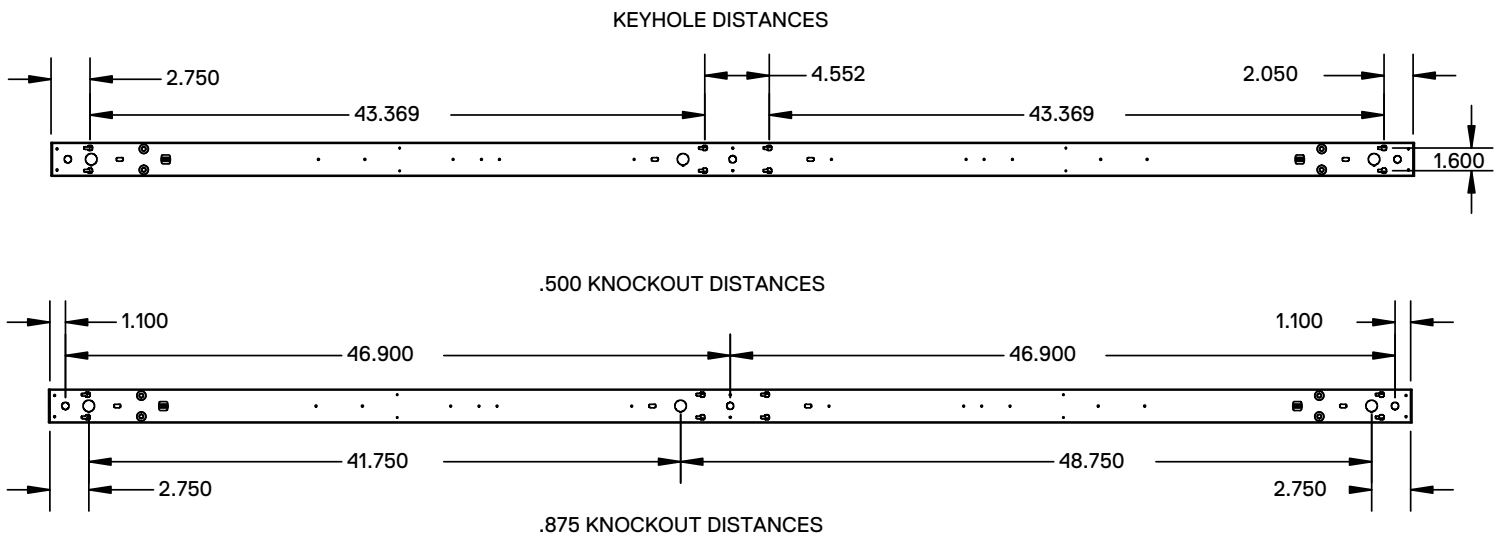
4 ft. - Back View



END VIEW



8 ft. - Back View



We reserve the right to change design, materials, LED's and finish in any way that will not alter installed appearance or reduce function and performance.

LITE Technology
2055 Luna Rd. Suite 142 Carrollton, TX 75006
Phone: 972-247-3171 ext 2056
www.litetechnology.com email: info@litetechnology.com



Series HSL L34

**LED Surface or Pendant
Mount Linear Fixture**

CATALOG# : _____

PROJECT : _____

TYPE : _____

ORDERING INFORMATION

SERIES	LENS MATERIAL	SIZE	WATTAGE & LUMENS	DRIVER	COLOR	CRI				
HSL L34P Pendant or Surface Mount	FR Frosted Lens	24L 24"	T13W1300L	13 Watts 1300 Lumens	DMV 0-10V Dimming G120 Triac/ELV Dimming at 120V only	Blank 80CRI 90 90CRI				
			T22W2200L	22 Watts 2200 Lumens						
			T26W2600L	26 Watts 2600 Lumens						
		48L 48"	T45W4500L	45 Watts 4500 Lumens						
			96L 96"	T52W5200L			52 Watts 5200 Lumens			
				T76W7600L			76 Watts 7600 Lumens			
		T90W9000L		90 Watts 9000 Lumens						
							*	*		

FINISH	CONFIGURATION	HANGING KIT OPTIONS
WH White BK Black SI Silver	Blank Individual -B Beginner Run -E Ender Run -J Joiner	HC301WH Cable kit with 4' Cable & 3 Wires Power Feed/Cable Incl. and White Canopy HC302WH Cable kit with 12' Cable & 3 Wires Power feed/Cable Incl. and White Canopy HC3015WWH Cable kit with 4' Cable & 5 Wires Power Feed/Cable Incl. and White Canopy HC3025WWH Cable kit with 12' Cable & 5 Wires Power feed/Cable Incl. and White Canopy 2SCS24WH Two Stem kits with 24" Stem, Canopy and Mounting hardware for a 4' fixture

Note:

*Programmable LED drivers allow custom configured wattages and corresponding lumens.

We reserve the right to change design, materials, LED's and finish in any way that will not alter installed appearance or reduce function and performance.

LITE Technology
2055 Luna Rd. Suite 142 Carrollton, TX 75006
Phone: 972-247-3171 ext 2056
www.litetechnology.com email: info@litetechnology.com

