

# HSL SB Series

## FEATURES & SPECIFICATIONS

The SB Excel Round Bulkhead is designed to replace HID lighting systems up to 100w MH or HPS. The open door frame allows for maximum light output. Typical applications include office and public buildings, condominiums, schools, shopping malls, and hospitality. Recommended mounting heights are 8 to 20 feet.

### Housing:

Die Cast Gasketed Aluminum Open Front Frame and Housing with Integral Heat Sinking and Driver Compartment. Nickel-Plated Stainless Steel Hardware. Photocell Adaptable.

### Listing & Ratings:

CSA: Listed for Wet Locations, ANSI/UL 1598, 8750; IP66 Sealed LED Compartment.

### Finish:

Textured Architectural Bronze Powdercoat Finish Over a Chromate Conversion Coating. Custom Colors Available Upon Request.

### Lens:

SoftLED LumaLens Polycarbonate Opal Vandal-Resistant Lens Eliminates LED Hot Spots

### Mounting Options:

Surface Mount

### EasyLED LED:

Aluminum Boards

### Wattage:

Array: 17w, System: 19.7w; (100w HID Equivalent)

### Driver:

Electronic Driver, 120-277V, 50/60Hz; Less Than 20% THD and PF>0.90. Standard Internal Surge Protection 2kV, 0-10V Dimming Standard for a Dimming Range of 100% to 10%; Dimming Source Current is 150 Microamps.

### Controls:

Fixtures Ordered with Factory-Installed Photocell or Motion Sensor Controls are Internally Wired for Switching and/or 1-10V Dimming Within the Housing. Remote Direct Wired Interface of 1-10V Dimming is Not Implied and May Not Be Available, Please Consult Factory. Fixtures are Tested with LEPC Controls and May Not Function Properly With Controls Supplied By Others. Fixtures are NOT Designed for Use with Line Voltage Dimmers.

## LED Round Bulkhead



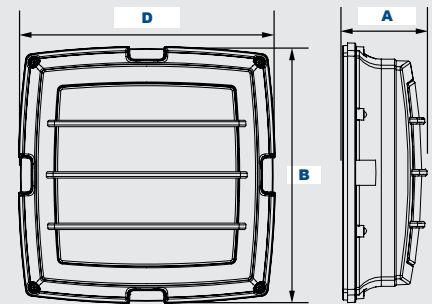
SBO



SBG



SBH



### RBG

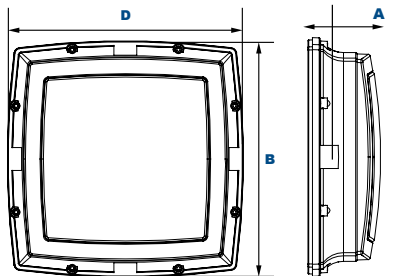
#### Dimensions

Width (D)	12½" (318mm)
Length (B)	12½" (318mm)
Height (A)	4¼" (108mm)

### RBO

#### Dimensions

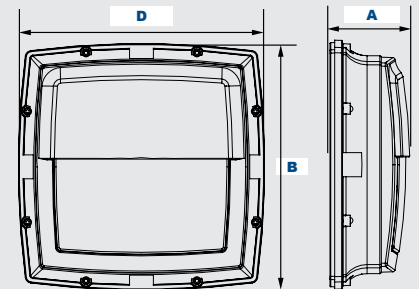
Width (D)	12½" (318mm)
Length (B)	12½" (318mm)
Height (A)	3 <sup>15</sup> / <sub>16</sub> " (100mm)



### RBH

#### Dimensions

Width (D)	12½" (318mm)
Length (B)	12½" (318mm)
Height (A)	4¼" (108mm)



## ORDERING INFORMATION

PART NUMBER	DESCRIPTIONS
SBO20W1600LDMV50KBZ	Grid Frame, 12.5"Dia x 4.375"H, LumaLens, 20W / 1614Lm, 5000K, Bronze Finish
SBG20W1900LDMV50KBZ	Grid Frame, 12.5"Dia x 4.375"H, LumaLens, 20W / 1923Lm, 5000K, Bronze Finish
SBH20W1550LDMV50KBZ	Half Cutoff, 12.5"Dia x 4.375"H, LumaLens, 20W / 1570Lm, 5000K, Bronze Finish

### Warranty:

5-Year Warranty for -40°C to +50°C Environment.