



HSL - SES2.5 Series

Full Body Micro

Full body micro silhouette 2.5 inches (nominal) in diameter makes a bold statement with a minimal design in post-painted powder coat flat white finish (consult factory for other finishes). Snap Fit softy etched diffuser with small matched finish metal inserts to hide shadows and dark spots provides smooth, comfortable lighting and completes the clean appearance. Available for fluorescent and LED T8 lamps (with and without ballast) or a complete LED system with driver and LED arrays. The fixture is beautifully scaled to both the T8 lamp or LED arrays. Fixtures can be surface mounted, on wall or ceiling, or pendant mounted. They can be used individually or joined together for continuous runs. End Cap is easily removable for clean, hassle free continuous row mounting. Add a wiring harness for complete plug and play operation in continuous runs.

Ordering Information - Fluorescent or LED T8

Example: HSL-SES2.5 1328 ZWHMV PI3D

Series	Lamp Count	Lamp Type [1] & Tandem Code [2]	Ballast & Voltage	Options
HSL SES2.5	1 28	46" T5 [4] 8ft. tandem*	MV Multi-volt Ballast	HC301WH 5' Cable kit
Full Body	1 32	48" T8 8ft. tandem*	ZWHMV Multi-volt Ballast	HC302WH 10' Cable kit
Micro	1 54	46" T5HO [4] 8ft. tandem*	ZDMVxxxx GE LED 21/DR/21 (60041)	EM Emergency ballast 500 Lumens
			ZDMVxxxx GE LED 21/DR/21 (62030)	EM14 Emergency ballast 1400 Lumens
				LNXX Fluorescent lamp included (XX color temperature or add 5 digit vendor code)
				LN15W30 Single ended 15W 1800 lumen 3000K* included
				LN18W30 Single ended 18W 2100 lumen 3000K* included

* Change 30 to 40 or 50 for 4000K or 5000K

1.* 8ft. tandem (2 lamp positions available)

2. LED Lamp - See LED lamps that is compatible with GE Driver

Wire Harness Options

PI1 3 Wire harness, including white, black and green

PI2 4 Wire harness, including white, black, green and blue

PI3D 5 Wire harness, including white, black, green, violet and gray.

SIZE H x W in inches (mm)

- 2.375"W x 48.03"L x 3.05"H
- 2.375"W x 96.03"L x 3.05"H

MOUNTING

- Surface Mount on wall or ceiling, vertical or horizontal. Pendant mount with optional cable kit or stem kits. (Consult for Wall Version)

MATERIALS & FEATURES

- Fully assembled housing is formed and welded, 22 gauge steel,

chemically treated to resist corrosion and enhance paint adhesion

- Can be mounted individually or in continuous rows
- Available with smooth frosted lens
- Knock-outs on back accept standard electrical fittings (by others). Consult factory for other locations
- Dimming ballast options available. (Consult factory for availability and system compatibility)

OPTIONS AND ACCESSORIES

- Occupancy sensor, whips, fuses and cord sets.
- Contact factory for more details.

HSL - SES2.5 Series

Full Body Micro

4FT

Ordering Information - LED System with Arrays

Example: HSL-SES2.5 48LF 31W 3100LDMV 40KWH

Series	Width	Wattage/Lumens	Driver	Color Temp	Finish
HSL SES2.5 Full Body Micro	48 L 48.03	F31W3100L 31 System Watts 3100 Delivered Lumens * For color consistency between fixture lengths "F31W" should pair with "F62W" R40W4000L 40 System Watts 4000 Delivered Lumens * For color consistency between fixture lengths "R40W" should pair with "R80W"	DMV Dimming Driver (0-10V)	30K 3000K 35K 3500K 40K 4000K 50K 5000K	WH White (Standard) BK Black BN Brushed Nickel

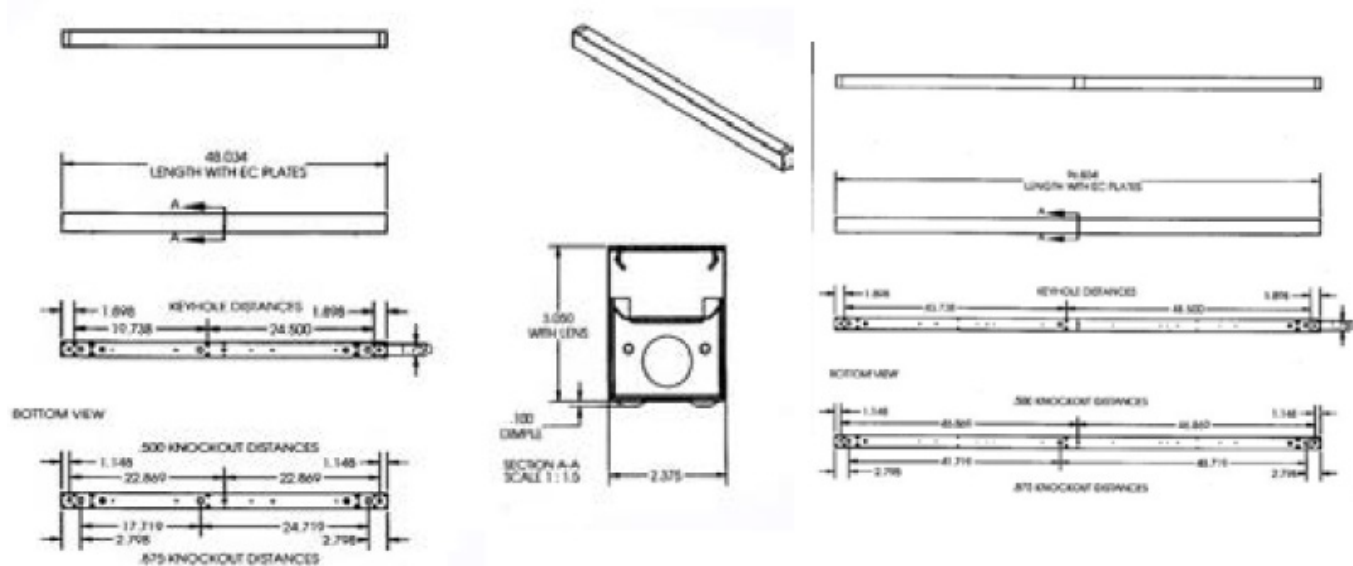
8FT

Ordering Information - LED System with Arrays

Example: HSL-SES2.5 96LR 56W 5600L DMV 40KWH

Series	Width	Wattage/Lumens	Driver	Color Temp	Finish
HSL SES2.5 Full Body Micro	96 L 96.03	R56W5600L 56 System Watts 5600 Delivered Lumens R80W8000L 80 System Watts 8000 Delivered Lumens	DMV Dimming Driver (0-10V)	30K 3000K 35K 3500K 40K 4000K 50K 5000K	WH White (Standard) BK Black BN Brushed Nickel

Dimensions & Mounting



HSL - SES2.5 Series

Full Body Micro

Hanging Kit & Wiring Harness Options

Part #	Description
HC301WH	Cable kit with 4' Cable & 3 Wires Power Feed/ Cable Incl. and White Canopy
HC302WH	Cable kit with 12' Cable & 3 Wires Power Feed/ Cable Incl. and White Canopy
HC3015WWH	Cable kit with 4' Cable & 5 Wires Power Feed/ Cable Incl. and White Canopy
HC3025WWH	Cable kit with 12' Cable & 5 Wires Power Feed/ Cable Incl. and White Canopy
2SCS24WH	Two Stem kits with 24" Stem, Canopy and mounting hardware for a 4' fixture

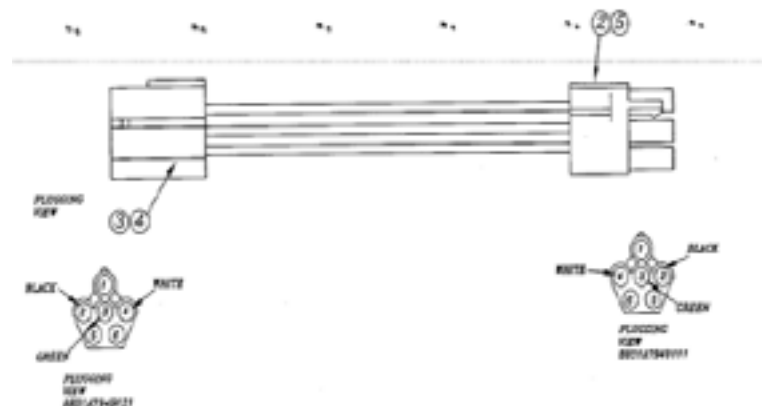


Canopy kits are supplied with all the parts needed to hang your fixture, from the canopy to the cable. These can be supplied with different lengths of cable

Non Feed Kits

Non feed kits are not supplied with power cables and do not need to be attached to the junction box. The canopy cover will only have one hole in it to attach the cable coupler.

Part #	Description
PI1	3 wire harness, including white, black and green
PI2	4 wire harness, including white, black, green and blue for Emergency Battery backu
PI3D	5 wire harness, including white, black, green, violet and gray



CHECK 100% FOR CONTINUITY

COIL AND SECURE WITH TAPE

7	1/2 PT	BR2240W	25/32 AC 1/2" THIN BR22
6	1/2 PT	BR2240W	25/32 AC 1/2" THIN BR22
5	3 PC	BR2240W0211-0	SOCKET 12-10GA (200) THINW. PROT BR2
4	3 PC	BR2240W0211-0	SPN 12-10GA (200) THINW. PROT BR2
3	1 PC	BR2240W021	CIRCULAR WING & POST CAP
2	1 PC	BR2240W021	CIRCULAR WING & POST PLUG
1	1/2 PT	BR2240W	25/32 AC 1/2" THIN BR22