

Series HSL SKB/SKR

Universal Strip Retrofit Kit with:
Channel Cover or Reflector

QUIK LED

The Simple LED Solution

All the Benefits of LED with
Ease, Practicality and Flexibility



QUIK LED

The most economical, practical and user friendly series of LED fixtures offering energy savings, quality of light, and long life. With no ballast to manage, Quik LED creates a new fixture with hassle-free maintenance. QUIK LED fixtures are UL Listed with the latest LED T8 Bypass lamps. Replace Fluorescent Lamps and remove the Ballast and enjoy over 40% energy savings and reduced operating costs! This system offers the maximum flexibility and as T8 LED Lamp Technology continues to improve, simply change the lamp to achieve additional energy savings. Simple, Easy & Long Lasting!

Convert Strip Fixture and Save

This kit was designed to convert: four foot and eight foot existing strip fixtures with either 1, 2 or 4 T8 LED Lamps. The kit can be ordered to work with 4.25 or 5 inch wide strips.

Lamps

Kit is socketed for: 1, 2 or 3 Lamp Positions.

Mounting

The SKR/SKB Universal Strip Retrofit Kit mounts easily, requiring only simple hand tools. The process includes removal of the existing ballast cover(s) and removal of the existing socket brackets and ballast. The New Pan Cover or Reflector is then attached to the existing strip channel with a universal socket bracket and self-tapping screws. The universal socket bracket can fit channels from 4" to 5.14" in width. The ballast cover needs to be ordered to size (either 4.25" or 5"), or the Reflector can serve as the ballast cover. Mount and connect the new reflector or ballast cover to sockets and attach using the quarter turns provided. Install lamps.

Savegreen T8 LED Lamp Information Below:

Lamps are DLC Listed
Warranty provided by: LITE Technology

LITE Technology
2055 Luna Rd. Suite 142 Carrollton, TX 75006
Phone: 972-247-3171 ext 2056
www.litetechnology.com email: info@litetechnology.com

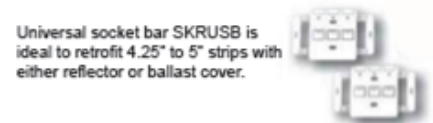
Choice of Reflectors

Or Ballast Cover

For Ballast Cover
choose strip width 4.25" or 5"



For enhanced light output add a mirrored specular reflector (M20) or white reflector (W10).



Universal socket bar SKRUSB is ideal to retrofit 4.25" to 5" strips with either reflector or ballast cover.



FEATURES & BENEFITS

- Simple Fixture Upgrade
- **Lamp Specifications:**
Out T8 LED lamps are available in 2 or 4 ft sizes and come in different wattage, Lumen and Color Temperatures. See options below.
- **Lamp Warranty:**
Savegreen T8 LED lamps come standard with a 5 year warranty. A longer warranty may be optional.
- **Beam Angle** 140 Degrees
- **Color Temperature:** 3500K, 4000K, 5000K
- **G13 Pins** (Same as Fluorescent)

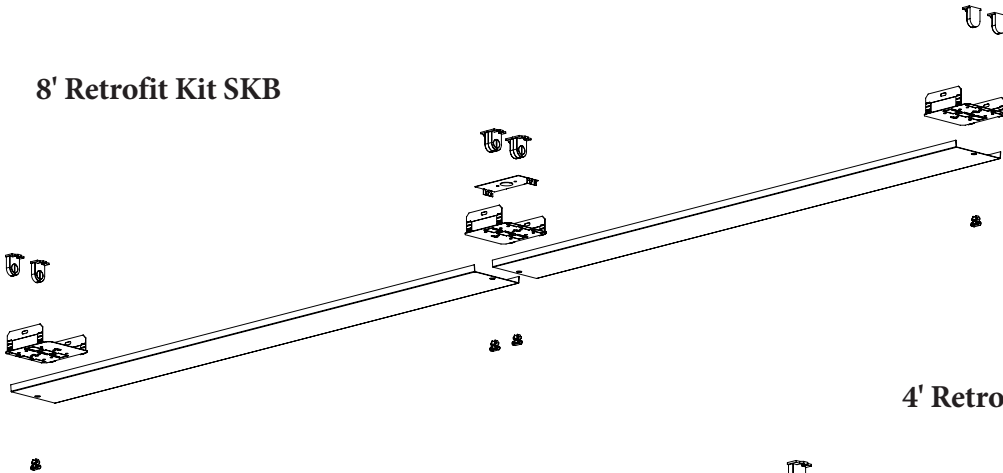


DRAWINGS & IMAGES

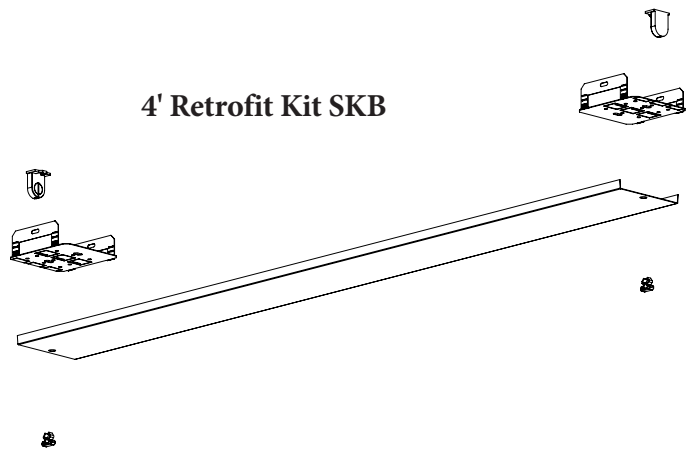
Series HSL SKB/SKR

Universal Strip Retrofit Kit iwth:
Channel Cover or Reflector

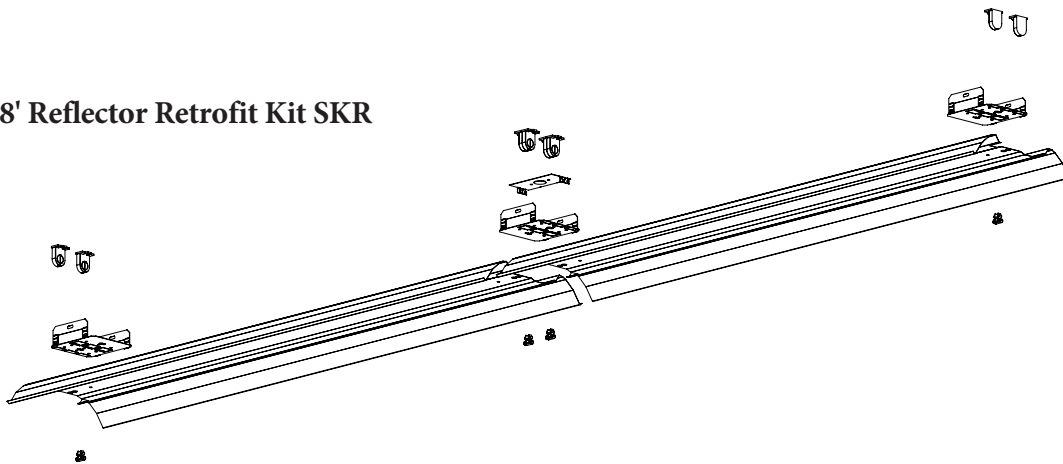
8' Retrofit Kit SKB



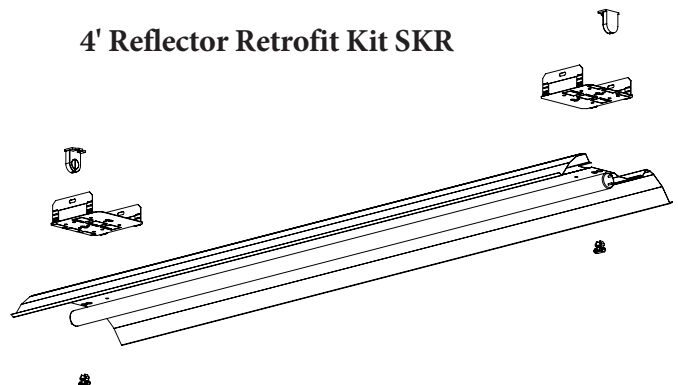
4' Retrofit Kit SKB



8' Reflector Retrofit Kit SKR



4' Reflector Retrofit Kit SKR



Series HSL SKB/SKR

Universal Strip Retrofit Kit with:
Channel Cover or Reflector

ORDERING CODES

ITEM NO.	DESCRIPTION
SKB132B4L11X1LI18W40	4.25" Strip Retrofit Kit 48". 2100 Lumen Included 1x18W 4000K Lamps
SKB232B4L11X1LI18W40	4.25" Strip Retrofit Kit 48". 4200 Lumen Included 2x18W 4000K Lamps
SKB132B4L11X1LI18W40	4.25" Strip Retrofit Kit 96". 4200 Lumen Included 2x18W 4000K Lamps
SKB232B4L11X1LI18W40	4.25" Strip Retrofit Kit 96". 8400 Lumen Included 4x18W 4000K Lamps
SKB132B5L11X1LI18W40	5" Strip Retrofit Kit 48". 2100 Lumen Included 1x18W 4000K Lamps
SKB232B5L11X1LI18W40	5" Strip Retrofit Kit 48". 4200 Lumen Included 2x18W 4000K Lamps
SKB132B5L11X1LI18W40	5" Strip Retrofit Kit 96". 8400 Lumen Included 2x18W 4000K Lamps
SKB232B5L11X1LI18W40	5" Strip Retrofit Kit 96". 4200 Lumen Included 4x18W 4000K Lamps
SKR132W10L11X1LI18W40	Strip Reflector Enhanced White Kit 48" 2100 Lumen Included 1x18W 4000K Lamp

ITEM NO.	DESCRIPTION
SKR232W10L11X1LI18W40	Strip Reflector Enhanced White Kit 48" 4100 Lumen Included 2x18W 4000K Lamp
SKR1328W10L11X1LI18W40	Strip Reflector Enhanced White Kit 96" 4200 Lumen Included 2x18W 4000K Lamp
SKR2328W10L11X1LI18W40	Strip Reflector Enhanced White Kit 96" 8400 Lumen Included 4x18W 4000K Lamp
SKR132M20L11X1LI18W40	Strip Reflector Mirror Kit 48" 2100 Lumen Included 1x18W 4000K Lamp
SKR232M20L11X1LI18W40	Strip Reflector Mirror Kit 48" 4100 Lumen Included 2x18W 4000K Lamp
SKR1328M20L11X1LI18W40	Strip Reflector Mirror Kit 96" 4200 Lumen Included 2x18W 4000K Lamp
SKR2328M20L11X1LI18W40	Strip Reflector Mirror Kit 96" 8400 Lumen Included 4x18W 4000K Lamp
SKRUSB	

Change 40 to 35 or 50 for different Kelvin. Change Lamp Wattage to 13W on 2FT or 15W on 4FT



Savegreen T8 or T5 LED Lamp Options

To include one of these lamps in fixture, remove "LNXXX" and add Savegreen Inside code below.

(See www.savegreenlighting.com for specification sheets or more information on these lamp options.)

VERSION	SAVEGREEN INSIDE	SAVEGREEN ITEM NO.
Popular	SGB15W35	LT8BG48L15W1740LXXK
Standard	SGS29W35	LT8BGC24L9W1050LXXK
Standard	SGS312W35	LT8BGC36L12W1200LXXK
Standard	SGS15W35	LT8BGC48L15W1740LXXK
Premium	SGP12W35	L10T8BGC48L12W1750LXXK
Premium	SGP15W35	L10T8BGC48L15W2000LXXK
Premium	SGP18W35	L10T8BGC48L18W2500LXXK
High Output	SGH26W40	LT8BGC48L26W3500LXXK
Double Ended	SGD18W35	LT8BDGC48L18W2100LXXK
T5HO	SGT525W40*	LT5BG46L25W3300LXXK
Magic	SGM18W35K	LT8ABP48L18W2250LXXK
Magic	SGM18W35K	LT8ABP48L15W1875LXXK
Magic	SGM215W35K	LT8ABP24L15W1875LXXK

Change 35 to 40 or 50 for different Kelvin.

*For T5, CCT 40K and 50K available.



Special
WARRANTY

Consult Lite for Options