

HSL SMC Series

LED Surface Mounts For Bright, General Illumination From A Small, Sleek Style.

Indoor or Outdoor with 75% Energy Savings and Lasts 40 Times Longer.

Finally, a fresh, modern approach to the old fashioned close-to-ceiling surface mount lights ideal for circulation spaces, living spaces and wet locations. This Contemporary Micro LED Close-to-Ceiling fixture with a matte white body and a translucent white acrylic diffuser mounts simply to a standard 4 inch J-box and is less than 2" deep in a crisp, flat edged style that provides a sophisticated look. Rethinking Lighting in the LED Revolution allows a large amount of light for general illumination from small unobtrusive sizes that will beautifully blend in to every application, indoor or outdoors. A warm, modern white 3000K color temperature is under 15 watts and illuminates like the output of 50W Par 20 and 75W BR30. Retrofit to an existing recessed 4" or 6" white can with a simple Recessed Accessory.

These Micro LED Close-to-Ceiling fixtures are particularly a good solution in wet location applications where normally a much larger and usually simple utilitarian look is used like in outdoor breezeways and showers/bathroom applications. They are also stylish substitutes for recessed downlights especially where ceiling obstructions or codes make a surface mount a good solution. It is ideal for applications that require expensive fire rated boxes for recessed fixtures since these mount simply to a surface mounted junction box.

Specifications

Heavy gauge metal housing powder coated white houses 120V LED array and 20W Driver. Driver is dimmable with standard incandescent dimmers.* Led are comfortably diffused with Translucent White Opal Acrylic diffuser to provide a glare free light.

LED Engine

SMC 6 inch 36 LED arrays providing 1060 lumens with the diffuser and 15 watts with 3000K color. SMC 4 inch has one led with 20 Watt driver providing 900 lumens and 12 watts.

Ideal Application

Outdoor Breezeways



Since the SMC Series are wet location rated and less than 15 watt, they are ideal for long, outdoor breezeways.

Replace Expensive Downlights



Fire Rated Recessed Housing
Avoid expensive Fire Rated Recessed housing by using the SMC series in a standard 4" Junction-box with bright, comfortable lighting at budget pricing.

Micro LED CTC



Listing

ETL Wet Location

Warranty

5 Year Limited Warranty

Showers / Wet Locations



Add less than 15 watts to your shower or tub but lots of light that will make a big difference in how good you look.

HSL SMC Series

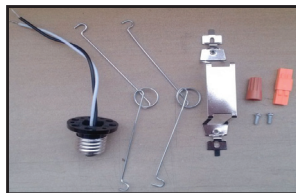
Micro LED CTC

Recessed Accessory Kit

Order separately a Recessed Accessory Kit to easily adapt the SMC series to 4" and 6" white cans. Save over 75% energy from incandescent equivalent fixtures and lasts 40 times longer.



4" Accessory Kit



6" Accessory Kit



Mounting

Surface mounts to standard 4 inch Junction-box with two screws. Mounts to most 4" and 6" white cans with a Recessed Accessory Kit.

Ordering Information

Triac Dimming

SMC Series dims to 10% with standard dimmers*

* Triac Based (forward phase control or leading edge dimmers).

Item No.	Description	Dimensions
HLSMC4L12W900L30KWH (or BZ)	Micro LED CTC 4" (5.9" OD) White (or Bronze), 12W 876 lumens, CRI ≥80, 3000K, 120V, with 20W Dimmable Driver. Surface Mount.	5.9"OD x 1.20"H
HLSMC4L12W900L30KBN	Micro LED CTC 4" (5.9" OD) Brushed Nickel, 12W 876 lumens, CRI ≥80, 3000K, 120V, with 20W Dimmable Driver. Surface Mount.	5.9"OD x 1.20"H
HLSMC6L15W1100L30KWH (or BZ)	Micro LED CTC 6" (7.4" OD) White (or Bronze), 15W 1095 lumens, CRI ≥80, 3000K, 120V, with 20W Dimmable Driver. Surface Mount.	7.4"OD x 1.26"H
HLSMC6L15W1100L30KBN	Micro LED CTC 6" (7.4" OD) Brushed Nickel, 15W 1095 lumens, CRI ≥80, 3000K, 120V, with 20W Dimmable Driver. Surface Mount.	7.4"OD x 1.26"H
HLSMC4RECACC	Recessed Accessory Kit to Retrofit SMC4L Series into 4" Recessed White Can Housings	
HLSMC6RECACC	Recessed Accessory Kit to Retrofit SMC6L Series into 6" Recessed White Can Housings	
HLSMC9L30W2100L30KWH	Micro LED CTC 9" (9.5" OD) White, 26W 1700 lumens, 3000K, 120V, with 26W Dimmable Driver. Surface Mount.	9.5"OD x 1.4"H

Consult for other finishes.

0-10V Dimming

Dims to 10% with standard dimmers*

HLSMC11L28W700LD12030KWH (or BN)	Micro LED CTC 11" (11.5" OD) White (or Brush Nickel), 28W 1700 lumens, 3000K, 120V, with 28W 0-10V Dimmable Driver. Surface Mount.	11.5"OD x 1.4" H
HLSMC15L40W2500LD12030KWH (or BN)	Micro LED CTC 15" (15.5" OD) White (or Brush Nickel), 40W 2500 lumens, 3000K, 120V, with 40 W 0-10V Dimmable Driver. Surface Mount.	15.5"OD x 1.4" H

SMC Emergency and 277V Version



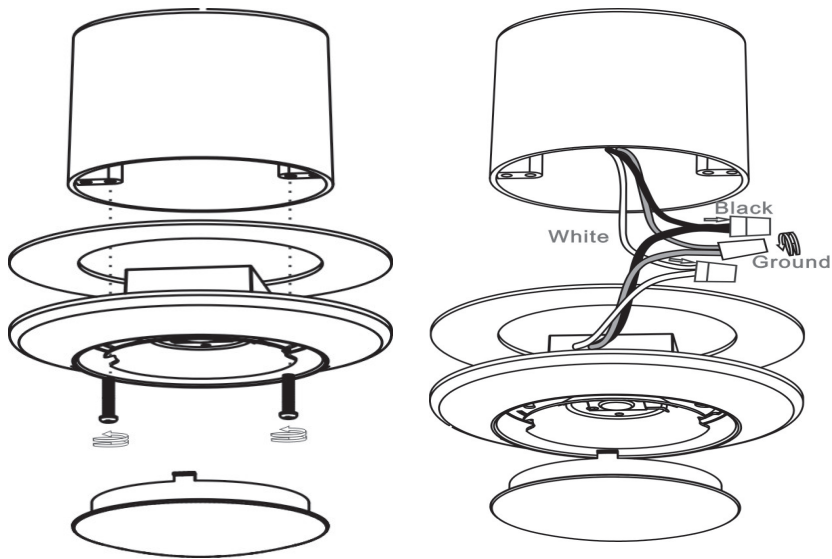
HLSMC6L15W1100L30KWH-277	Surface Disc in 277V 15W, 1100L, 30K in White
HLSMC6L15W1100L30KWH-EM	Surface Disc with Integral Emergency Back-Up in recessed junction Box. Emergency version comes with junction box. 15Watt, 1095Lm, 6Watt EM at 400Lm, 30K in White.

HSL SMC Series

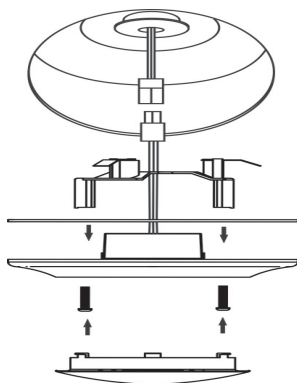
Micro LED CTC

Mounting Detail

4 inch or 6 inch Surface Mount



4 inch Recessed Mount (Requires Accessory Kit)



6 inch Recessed Mount (Requires Accessory Kit)

