

## HSLWCW Series

### LED Wall Cylinder

#### FEATURES & SPECIFICATIONS

**Housing:**

Extruded Round Aluminum Housing with Built-in Heat Sinks, Powdercoat Finish Over a Chromate Conversion Coating.

**Listing & Ratings:**

CSA: Listed for Wet Locations, ANSI/UL 1598, 8750, IP65 Sealed LED Compartment.

**Reflector:**

White Reflector

**Lens:**

Tempered Clear Flat Glass Lens

**LED:**

COB

**Delivered Lumens:**

4,380 Lumens, 70 Up/100 Down

CRI: 80+

CCT: 4100K

**Rated Life:**

50,000 Hours, 5-Year Warranty

**Wattage:**

Total COB: 40w

**Driver:**

Electronic Driver, 120-277V, 50/60Hz or 347/480V, 50/60Hz; Dimmable Driver

**Mounting:**

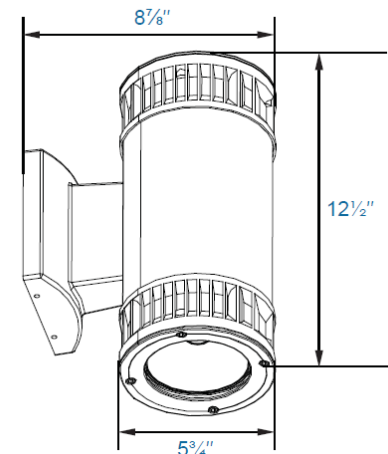
Mount Over a 4" Recessed Outlet Box

**Warranty:**

5-Year Warranty for -40°C to +50°C Environment.



#### Dimensions



#### ORDERING INFORMATION

PART NUMBER	DESCRIPTIONS
HSL WCWU20WD20W4350LDMV40KBZ	Wide Optic, 100 Degree, 8.875"L x 5.75"Dia x 12.25"H, 20 Watt Up and 20 Watt Down Light, Total Lumens 4347Lm, 4100K, Bronze Finish

Catalog Number:
Notes: